

FEATURES

- 19-7/8" x 19-7/8"
- Vitreous china
- CeFiONtect™ ceramic glaze - prevents debris and mold from sticking to ceramic surfaces, leading to fewer chemicals and less water in cleaning
- Rear overflow
- Mounting assembly complete with installation template and mounting screw set

MODELS

- LT645G
Lavatory with single hole
- LT645.4G
Lavatory with 4" faucet centers
- LT645.8G
Lavatory with 8" faucet centers

COLORS/FINISHES

- Standard
#01 Cotton
#12 Sedona Beige

CODES/STANDARDS

- Meets and exceeds ASME A112.19.2/CSA B45.1
- Certifications: IAPMO(cUPC), State of Massachusetts, City of Los Angeles, and others
- Code compliance: UPC, IPC, NSPC, NPC Canada, and others
- ADA compliant



PRODUCT SPECIFICATION

This vessel lavatory shall be made of vitreous china. Lavatory shall be 19-7/8" x 19-7/8". Product shall be with overflow and lavatory shall include mounting assembly. Lavatory shall have CeFiONtect ceramic glaze. Lavatory shall be ADA compliant. Lavatory shall be TOTO Model LT645_____.

LT645G

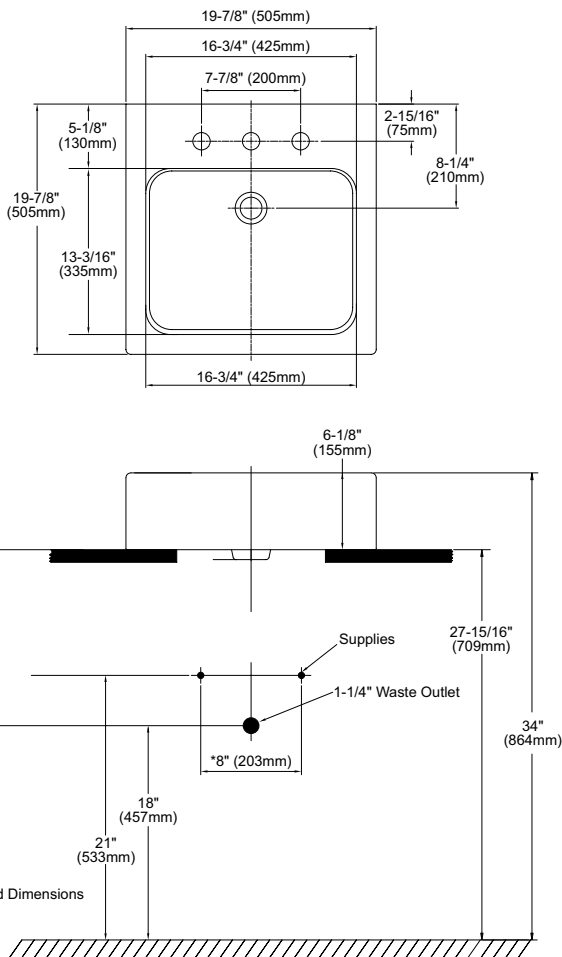
Vessel Lavatory

SPECIFICATIONS

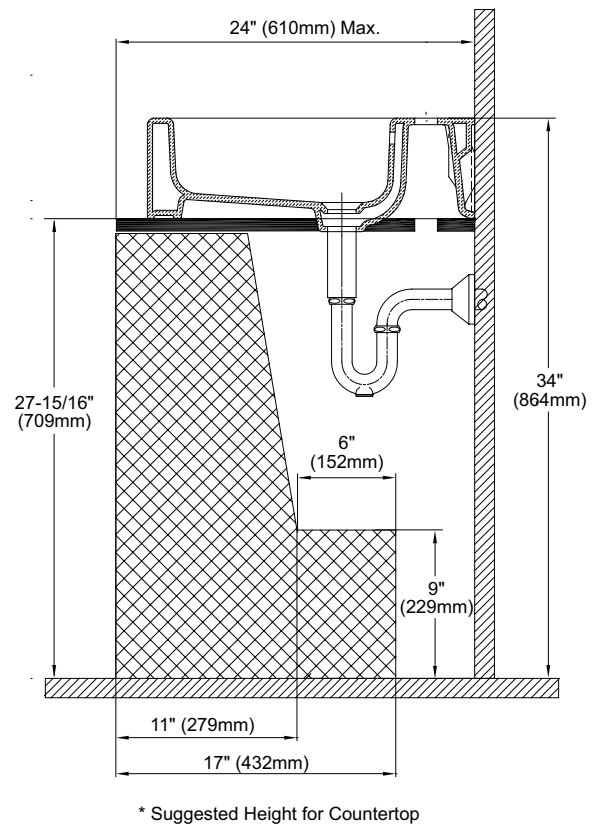
- Waste 1-1/4" O.D.
- Size 19-7/8" W x 19-7/8" D
- Basin 16-3/4" W x 13-3/16" D
- Warranty One Year Limited Warranty
- Material Vitreous china
- Shipping Weight 46.55 lbs.
- Shipping Dimensions 21-3/8" W x 21-3/8" D x 7-7/8" H

INSTALLATION NOTES

Back side of lavatory is not finished. Lavatory must be installed flush with back wall.



ADA Compliance



These dimensions and specifications are subject to change without notice